



Varifocal Lenses



For optimizing angular fields right on site, varifocal lenses are the most versatile and practical solution available. These lenses allow for setting virtually any angle of field, which maximizes surveillance effects. Installers do not need to carry several different focal length lenses – and installation is more efficient because they can find the right angles of field without moving the camera set-up. If the field-of-view requirements change after installation, modification is simple by just altering the lens' focal length settings.

Functions

This series includes both manual and DC-iris varifocal lenses. They are compact, rugged, and available in 1/3-inch and 1/2-inch image formats. The series is organized by sensitivity, optical resolution, and range to match the wide range of Dinion camera applications.

These varifocal lenses come with a standard C or CS mount for use with a variety of cameras. The DC-iris control connection is a four-pin standard plug that fits directly into the camera's iris output. And the lenses deliver impressive optical quality due to their high standards for resolution, contrast reproduction, and coating.

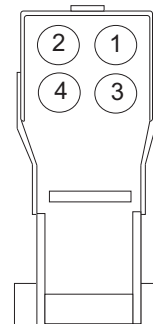
- ▶ High-quality optics
- ▶ 1/3-inch and 1/2-inch formats
- ▶ Reliable, robust construction
- ▶ Focal length options
- ▶ Compact design
- ▶ Manual and DC-iris versions
- ▶ Manual focus and zoom control

The mechanical construction is designed to withstand both frequent DC-iris control operations and the environmental stress of security installations. For flexible, high-quality, reliable lenses that match a camera's performance, this varifocal series is the ideal solution.

Certifications and Approvals

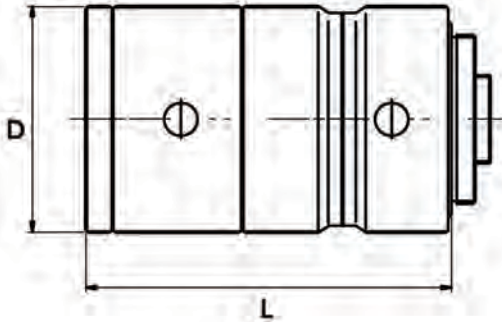
Region	Certification
Europe	CE

Installation/Configuration Notes

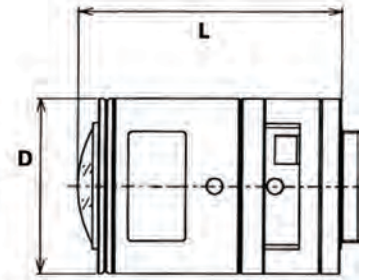
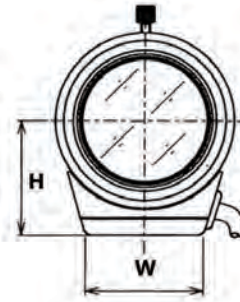


4-pin DC-iris connector (front view)

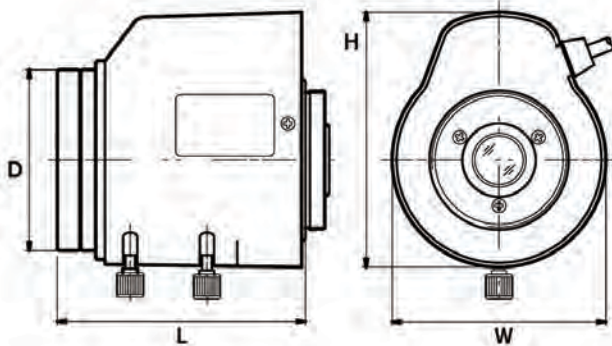
- Pin 1: Damping coil -
- Pin 2: Damping coil +
- Pin 3: Driving coil + (open)
- Pin 4: Driving coil -



Lens type	L mm (in)	D mm (in)
LTC 3361/32	42 (1.65)	36 (1.42)
LTC 3361/41	59 (2.32)	44 (1.73)
LTC 3361/50	55 (2.17)	34 (1.34)
LTC 3361/60	45.3 (1.78)	33 (1.3)
LTC 3371/21	59.2 (2.33)	42 (1.65)
LTC 3371/50	61.5 (2.42)	44 (1.73)



Lens Type	L	D	H	W
	mm (in)	mm (in)	mm (in)	mm (in)
LTC 3364/32	42 (1.65)	33 (1.3)	25.5 (1.0)	22.7 (0.89)
LTC 3364/41	59 (2.32)	41 (1.61)	26 (1.02)	26 (1.02)
LTC 3374/21	59.2 (2.33)	40 (1.57)	32 (1.26)	24.6 (0.97)
LTC 3664/40	59 (2.32)	44 (1.73)	26.2 (1.03)	26.4 (1.04)
LTC 3674/20	55.2 (2.17)	38 (1.5)	27.2 (1.07)	31 (1.22)
LTC 3764/20	53.9 (2.12)	40 (1.57)	31 (1.22)	24.6 (0.97)
LTC 3774/30	62 (2.44)	38.6 (1.52)	31.1 (1.22)	31.8 (1.25)



Lens Type	L	D	H	W
	mm (in)	mm (in)	mm (in)	mm (in)
LTC 3274/41	77 (3.03)	42 (1.65)	56.8 (2.24)	46.5 (1.83)
LTC 3364/21	44 (1.73)	35.2 (1.39)	45.7 (1.8)	40.4 (1.59)
LTC 3664/30	44.4 (1.75)	35.2 (1.39)	44.7 (1.76)	38.3 (1.51)
LTC 3364/50	55 (2.17)	34 (1.34)	46 (1.81)	40 (1.57)
LTC 3364/60	45.3 (1.78)	33 (1.3)	46.5 (1.83)	39 (1.54)
LTC 3374/50	61.5 (2.42)	44 (1.73)	52.2 (2.06)	44.4 (1.75)

Technical Specifications

Electrical/mechanical

See comparison table at the end of this datasheet.

Environmental

Operating Temperature	-10°C to +50°C (+14°F to +122°F)
Storage Temperature	-40°C to +70°C (-40°F to +158°F)
Operating Humidity	Up to 93% non-condensing
Certification	CE (DC-iris models)

Ordering Information

LTC 3361/50 Varifocal Lens **LTC3361/50**
1/3-inch, 2.8 – 10 mm, manual-iris, CS-mount F1.4-close

LTC 3364/50 Varifocal Lens **LTC3364/50**
1/3-inch, 2.8 – 10 mm, DC-iris, CS-mount, F1.4-360, 4 pin

LTC 3361/60 Varifocal Lens **LTC3361/60**
1/3-inch, 3.5 – 8 mm, manual-iris, CS-mount F1.4-close

LTC 3364/60 Varifocal Lens **LTC3364/60**
1/3-inch, 3.5 – 8 mm, DC-iris, CS-mount F1.4-360, 4-pin

LTC 3361/32 Varifocal Lens **LTC3361/32**
1/3-inch, 3.0 – 8 mm, manual-iris, CS-mount F1.0-close

Ordering Information

LTC 3364/32 Varifocal Lens 1/3-inch, 3.0 to 8 mm, DC-iris, CS-mount F1.0-360, 4-pin	LTC 3364/32
LTC 3361/41 Varifocal Lens 1/3-inch, 2.8 to 12 mm, manual-iris, CS-mount F1.4-close	LTC 3361/41
LTC 3364/41 Varifocal Lens 1/3-inch, 2.8 to 12 mm, DC-iris, CS-mount F1.4-360, 4-pin	LTC 3364/41
LTC 3371/50 Varifocal Lens 1/3-inch, 5 – 50 mm, manual iris, CS-mount F1.7-close	LTC3371/50
LTC 3374/50 Varifocal Lens 1/3-inch, 5 – 50 mm, DC-iris, CS-mount F1.7-360, 4-pin	LTC3374/50
LTC 3371/21 Varifocal Lens 1/3-inch, 5 to 50 mm, manual iris, CS-mount F1.4-close	LTC 3371/21
LTC 3374/21 Varifocal Lens 1/3-inch, 5 to 50 mm, DC-iris, CS-mount F1.4-360, 4-pin	LTC 3374/21
LTC 3364/21 Varifocal Lens IR corrected 1/3-inch, 2.8 – 6 mm, DC-iris, CS-mount F1.4-200, 4-pin	LTC3364/21
LTC 3664/30 Varifocal Lens IR corrected 1/3-inch, 3.0 – 8 mm, DC-iris, CS-mount F1.0-360, 4-pin	LTC3664/30
LTC 3664/40 Varifocal Lens IR corrected 1/3-inch, 2.8 – 11 mm, DC-iris, CS-mount F1.4-360, 4-pin	LTC3664/40
LTC 3674/20 Varifocal Lens IR corrected 1/3-inch, 7.5 – 50 mm, DC-iris, CS-mount F1.3-360, 4-pin	LTC 3674/20
LTC 3764/20 Varifocal Lens IR corrected 1/2-inch, 4 – 12 mm, DC-iris, C-mount F1.2-360, 4-pin	LTC 3764/20
LTC 3774/30 Varifocal Lens IR corrected 1/2-inch, 10 – 40 mm, DC-iris, C-mount F1.4-360, 4-pin	LTC 3774/30
LTC 3274/41 Varifocal Lens 1/2-inch, 7.5 – 75 mm, DC-iris, C-mount, F1.7-360, 4-pin	LTC3274/41
Accessories	
S1374 Adapter converts C mount lens to CS mount camera	S1374

Varifocal Lenses 1/3 and 1/2 inch



LTC3361/50



LTC3364/50



LTC3361/60



LTC3364/60

	LTC3361/50	LTC3364/50	LTC3361/60	LTC3364/60
Image format	1/3 inch	1/3 inch	1/3 inch	1/3 inch
Focal length	2.8 – 10 mm	2.8 – 10 mm	3.5 – 8 mm	3.5 – 8 mm
Iris range	F1.4 to close	F1.4 - 360	F1.4 to close	F1.4 - 360
Min object distance	0.3 m (1 ft)	0.3 m (1 ft)	0.3 m (1 ft)	0.3 m (1 ft)
Back focus distance	7.8 mm (0.3 in)	7.8 mm (0.3 in)	8.4 mm (0.33 in)	8.4 mm (0.33 in)
Weight	57 g (0.13 lb)	69 g (0.15 lb)	41 g (0.1 lb)	53 g (0.12 lb)
Lens mount	CS	CS	CS	CS
Angle view Wide (1/3 in.)	83 x 62.4	83 x 62.4	77.6 x 58.2	77.6 x 58.2
Angle view Tele (1/3 in.)	28.8 x 21.6	28.8 x 21.6	33.6 x 25	33.6 x 52
Angle view Wide (1/2 in.)	-	-	-	-
Angle view Tele (1/2 in.)	-	-	-	-
Iris control	manual	4-pin, DC control	manual	4-pin, DC control
Focus ctrl	manual	manual	manual	manual
Zoom ctrl	manual	manual	manual	manual

Varifocal Lenses 1/3 and 1/2 inch



LTC3361/32



LTC 3364/32



LTC 3361/41



LTC 3364/41

	LTC3361/32	LTC 3364/32	LTC 3361/41	LTC 3364/41
Image format	1/3 inch	1/3 inch	1/3 inch	1/3 inch
Focal length	3 – 8 mm	3 – 8 mm	2.8 – 12 mm	2.8 – 12 mm
Iris range	F1.0 to close	F1.0 - 360	F1.4 to close	F1.4 - 360
Min object distance	0.2 m (0.66 ft)	0.2 m (0.7 ft) to inf.	0.3 m (1 ft)	0.3 m (1 ft) to inf.
Back focus distance	8.4 mm (0.33 in)	8.4 mm (0.33 in)	8.6 mm (0.34 in)	8.6 mm (0.34 in)
Weight	39 g (0.09 lb)	50 g (0.11 lb)	67 g (0.15 lb)	71 g (0.16 lb)
Lens mount	CS	CS	CS	CS
Angle view Wide (1/3 in.)	91 x 66.9	91 x 66.6	97.4 x 72.5	97.4 x 72.5
Angle view Tele (1/3 in.)	36 x 26.9	35.9 x 26.9	24.1 x 18.1	24.1 x 18.1
Angle view Wide (1/2 in.)	-	-	-	-
Angle view Tele (1/2 in.)	-	-	-	-
Iris control	manual	4-pin, DC control	manual	4-pin, DC control
Focus ctrl	manual	manual	manual	manual
Zoom ctrl	manual	manual	manual	manual

Varifocal Lenses 1/3 and 1/2 inch



LTC3371/50



LTC3374/50



LTC 3371/21



LTC 3374/21

	LTC3371/50	LTC3374/50	LTC 3371/21	LTC 3374/21
Image format	1/3 inch	1/3 inch	1/3 inch	1/3 inch
Focal length	5 – 50 mm	5 – 50 mm	5 – 50 mm	5 – 50 mm
Iris range	F1.7 to close	F1.7 - 360	F1.4 to close	F1.4 - 360
Min object distance	1 m (3.3 ft)	1 m (3.3 ft)	1 m (3.3 ft)	1 m (3.3 ft)
Back focus distance	7.6 mm (0.3 in)	7.6 mm (0.3 in)	10.05 mm (0.4 in)	10.05 mm (0.4 in)
Weight	149 g (0.33 lb)	160 g (0.35 lb)	75 g (0.17 lb)	84 g (0.19 lb)
Lens mount	CS	CS	CS	CS
Angle view Wide (1/3 in.)	50 x 37.8	50 x 37.8	53.4 x 40.1	53.4 x 40.1
Angle view Tele (1/3 in.)	5.5 x 4.1	5.5 x 4.1	5.3 x 4.1	5.3 x 4.1
Angle view Wide (1/2 in.)	-	-	-	-
Angle view Tele (1/2 in.)	-	-	-	-
Iris control	manual	4-pin, DC control	manual	4-pin, DC control
Focus ctrl	manual	manual	manual	manual
Zoom ctrl	manual	manual	manual	manual

Varifocal Lenses 1/3 and 1/2 inch



LTC3364/21



LTC3664/30



LTC3664/40



LTC3674/20

	LTC3364/21	LTC3664/30	LTC3664/40	LTC3674/20
Image format	1/3 inch (IR)	1/3 inch (IR)	1/3 inch (IR)	1/3 inch (IR)
Focal length	2.8 – 6 mm	3 – 8 mm	2.8 – 12 mm	7.5 – 50 mm
Iris range	F1.4 - 200	F1.0 - 360	F1.4 - 360	F1.3 - 360
Min object distance	0.3 m (1.0 ft)	0.3 m (1 ft) to inf.	0.3 m (1 ft) to inf.	0.4 m (1.3 ft)
Back focus distance	7.6 mm (0.3 in)	7.5 mm (0.3 in)	8.6 mm (0.34 in)	8.1 mm (0.32 in)
Weight	59 g (0.13 lb)	60 g (0.13 lb)	79 g (0.17 lb)	68 g (0.15 lb)
Lens mount	CS	CS	CS	CS
Angle view Wide (1/3 in.)	96.9 x 72.5	93.2 x 69	97.4 x 72.4	36.6 x 27.4
Angle view Tele (1/3 in.)	46.7 x 35.1	35.2 x 26.4	26.2 x 19.7	5.6 x 4.3
Angle view Wide (1/2 in.)	-	-	-	-
Angle view Tele (1/2 in.)	-	-	-	-
Iris control	4-pin, DC control	4-pin, DC control	4-pin, DC control	4-pin, DC control
Focus ctrl	manual	manual	manual	manual
Zoom ctrl	manual	manual	manual	manual

Varifocal Lenses 1/3 and 1/2 inch

**LTC 3764/20****LTC 3774/30****LTC 3274/41**

	LTC 3764/20	LTC 3774/30	LTC 3274/41
Image format	1/2 inch (IR)	1/2 inch (IR)	1/2 inch
Focal length	4 – 12 mm	10 – 40 mm	7.5 – 75 mm
Iris range	F1.2 - 360	F1.4 - 360	F1.7 – 360
Min object distance	0.3 m (1.0 ft)	0.5 m (1.6 ft)	0.3 m (1 ft)
Back focus distance	9 mm (0.35 in)	12.4 mm (0.49 in)	8.5 mm (0.34 in)
Weight	68 g (0.15 lb)	87 g (0.19 lb)	220 g (0.48 lb)
Lens mount	C	C	C
Angle view Wide (1/3 in.)	68.9 x 51.3	27.5 x 20.4	35.5 x 26.6
Angle view Tele (1/3 in.)	23.4 x 17.5	7.0 x 5.2	3.7 x 2.8
Angle view Wide (1/2 in.)	93.6 x 68.9	37.5 x 27.5	46.2 x 35.5
Angle view Tele (1/2 in.)	31.2 x 23.4	9.2 x 7.0	4.9 x 3.7
Iris control	4-pin, DC control	4-pin, DC control	4-pin, DC control
Focus ctrl	manual	manual	manual
Zoom ctrl	manual	manual	manual

Americas:
 Bosch Security Systems, Inc.
 130 Perinton Parkway
 Fairport, New York, 14450, USA
 Phone: +1 800 289 0096
 Fax: +1 585 223 9180
 security.sales@us.bosch.com
 www.boschsecurity.us

Europe, Middle East, Africa:
 Bosch Security Systems B.V.
 P.O. Box 80002
 5600 JB Eindhoven, The Netherlands
 Phone: + 31 40 2577 284
 Fax: +31 40 2577 330
 emea.securitysystems@bosch.com
 www.boschsecurity.com

Asia-Pacific:
 Robert Bosch (SEA) Pte Ltd, Security Systems
 11 Bishan Street 21
 Singapore 573943
 Phone: +65 6258 5511
 Fax: +65 6571 2698
 apr.securitysystems@bosch.com
 www.boschsecurity.com

Represented by